

adphos NIR-AC

Flexible high power area heater

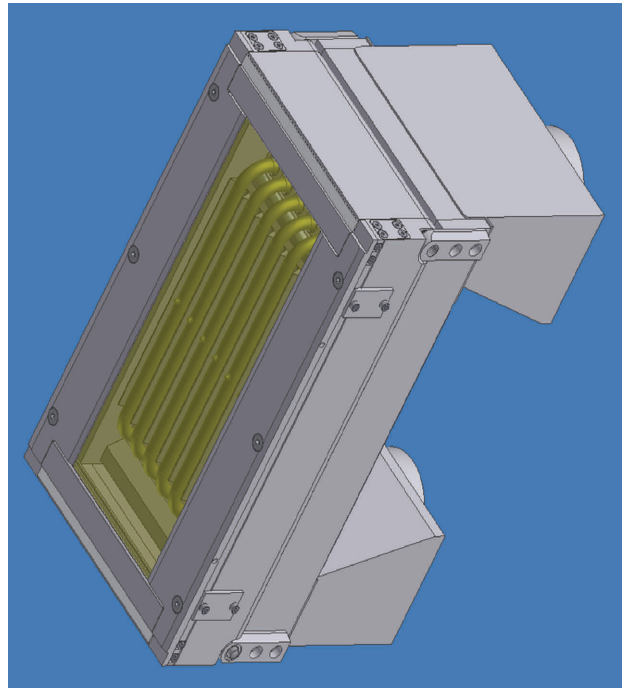
Product Description:

High power densities of up to 0.7 MW/m² within minimised space requirements are achieved by the adphos NIR-AC product family. Depending on the application different power densities can be provided. The NIR-AC product family is a compact heating module, which can easily be integrated into new and existing systems where high power densities are required but only less space is available. The system is used in industrial steel, plastic and printing applications, where cost effectiveness as well as robust design and long life time are required.

The NIR-ACs are available with a heated length of 125 or 250 mm and in different widths from 120 to 600 mm (other width on request). A glass plate to prevent contamination of the emitter and reflectors is optionally available.

As this product family is air cooled it can be used very flexible – only an external cooling blower is required.

If cooling water is preferred have a look at the NIR-HP product family (data sheet available).



Features:

- Easy mechanical integration by compact design and multiple fastening points
- Pre assembled cables (approx. 1.5 m) guarantee an easy electrical integration into new and existing systems
- Different mechanical sizes as well as power densities are optimised for each application
- Instant ON-OFF – No pre heating required

Application Samples:

- Drying and curing of colours, coatings as well as glue on flat surfaces
- Heating of flat metal or plastic panels
- Drying of inkjet
- Curing of resin impregnated paper and cloth

Technical Data:

AC-Module U-250:

Type	AC-120	AC-240	AC-360	AC-480	AC-600
Emitter type	U-250	U-250	U-250	U-250	U-250
Heated width (BB) [mm]	120	240	360	480	600
Heated length (LB) [mm]	250	250	250	250	250
Module width (BM) [mm]	BB+80	BB+80	BB+80	BB+80	BB+80
Module length (LM) [mm]	LB+144	LB+144	LB+144	LB+144	LB+144
Module height (HM) [mm] (without glass plate)	200	220	240	260	280
Module height (HM) [mm] (with glass plate)	200	250	300	350	400
Weight without glass plate [kg]	12	20	28	36	42
Weight with glass plate [kg]	18	28	38	48	56
Amount of emitters	6	12	18	24	30
Required cooling air [m ³ /min]	7,0	14	21	28	35
Cooling air inlet flange diameter [mm]	100	150	180	200	250

AC-Module U-125:

Type	AC-120	AC-240	AC-360	AC-480	AC-600
Emitter type	U-125	U-125	U-125	U-125	U-125
Heated width (BB) [mm]	120	240	360	480	600
Heated length (LB) [mm]	125	125	125	125	125
Module width (BM) [mm]	BB+80	BB+80	BB+80	BB+80	BB+80
Module length (LM) [mm]	LB+144	LB+144	LB+144	LB+144	LB+144
Module height (HM) [mm] (without glass plate)	200	220	240	260	280
Module height (HM) [mm] (with glass plate)	200	250	300	350	400
Weight without glass plate [kg]	8	14	20	25	30
Weight with glass plate [kg]	12	20	27	33	40
Amount of emitters	6	12	18	24	30
Required cooling air [m ³ /min]	7,0	14	21	28	35
Cooling air inlet flange diameter [mm]	100	150	180	200	250

Order Code:

	AC-120	AC-240	AC-360	AC-480	AC-600	Power for each Emitter [kW]
Amount of emitter (need to be multiplied with emitter power to get the total power consumption for choosing the corresponding power supply)	6	12	18	24	30	
250 mm Emitter (U-250) without glass plate						
LB-08-250	503001	503002	503003	503004	503005	0,800
NB-12-250	503006	503007	503008	503009	503010	1,250
NB-18-250	503011	503012	503013	503014	503015	1,875
HB-25-250	503016	503017	503018	503019	503020	2,500
HB-31-250	503021	503022	503023	503024	503025	3,125
HB-35-250	503026	503027	503028	503029	503030	3,500
250 mm Emitter (U-250) with glass plate						
LB-08-250	503031	503032	503033	503034	503035	0,800
NB-12-250	503036	503037	503038	503039	503040	1,250
NB-18-250	503041	503042	503043	503044	503045	1,875
HB-25-250	503046	503047	503048	503049	503050	2,500
HB-31-250	503051	503052	503053	503054	503055	3,125
HB-35-250	503056	503057	503058	503059	503060	3,500
125 mm Emitter (U-125) without glass plate						
NB-05-125*	504001	504002	504003	504004	504005	0,500
NB-12-125	504006	504007	504008	504009	504010	1,250
125 mm Emitter (U-125) with glass plate						
NB-05-125*	504011	504012	504013	504014	504015	0,500
NB-12-125	504016	504017	504018	504019	504020	1,250

*The NB-05-125 emitter is design for a 230 V power supply. When ordering a power supply for this type of emitters, please mention in your order "Power supply suitable for NB-05-125".

All here mentioned data are subject to changes due to product optimisation
PDB AC-01en-04/2009